

# Exhibit 6036 IFS

**Model number:**

106172

**Dimensions:** 60" x 36" x 18"

**Installation:** Alcove

**Material:** Acrylic



## Standard Features:

- Rectangular shape bathtub in alcove installation
- Available in Above-the-Floor Rough (AFR) or not
- Minimalist look with discreet armrests and textured floor
- Integrated tiling flange
- Integrated skirt with access panel when equipped with a system

## Product characteristics:

- Integrated Armrest
- Integrated Tiling Flange and Skirt
- Textured Floor

## Warranty:

25 Years

## Standard colors:



## Certifications

MAAX products adhere to one or more of the following certifications:



## Recommended products (Visit our website for a complete list of our recommended doors)

No	Description
105409	Mika Sliding Tub Door 54 - 59 1/2 x 55 in.
105410	Polar Sliding Tub Door 54-59 1/2 x 57 # in.
134661	Kameleon SC Sliding Tub Door 55-59 x 57 in. 6 mm

## Options (Visit our website for a complete list of our options)

No	Description
<input type="checkbox"/> OPT 10019	Removable access panel
<input type="checkbox"/> OPT 10053	Chromatherapy
<input type="checkbox"/> OPT 10095	Water heater assembly
<input type="checkbox"/> OPT 10106	Metal trim kit for whirlpool and combined systems
<input type="checkbox"/> OPT 20029	Metal trim kit for Air Push Control

# Exhibit 6036 IFS

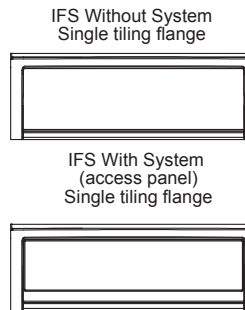
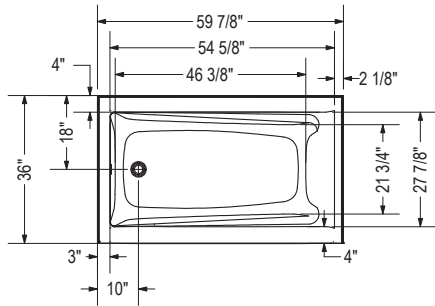
**Model number:**

**106172**

**Dimensions:** 60" x 36" x 18"

**Installation:** Alcove

**Material:** Acrylic



**Dimensions:**

59 7/8 x 36 x 18 in.  
(1521 x 914 x 457 mm)

**Weight:**

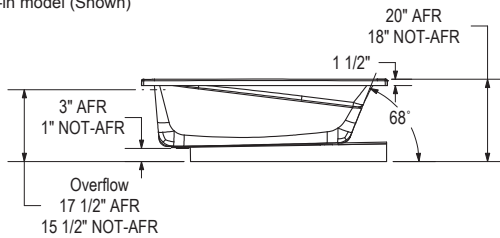
80 lbs -

**Drain location:**

Left

Right

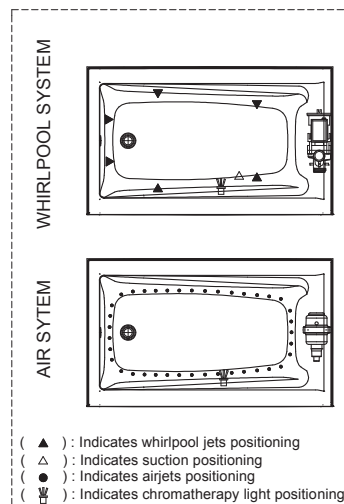
1" Single integrated tiling flange (not shown)  
Drop-in model (Shown)



Technical drawing is universal for all Exhibit 6036 configurations.

Wood support design may vary.  
Single integrated tiling flange: 1" height x 1/4" thickness (not shown)

All dimensions are approximate.  
Structure measurement must be verified against the unit to ensure proper fit.



- ( ▲ ) : Indicates whirlpool jets positioning
- ( ▽ ) : Indicates suction positioning
- ( ● ) : Indicates airjets positioning
- ( ◻ ) : Indicates chromotherapy light positioning

Project:

Contractor:

Representative:

Date:

Tel:

Notes: